

17SK



Concrete solutions. Always.

Engine V2607-CR-T

Engine power 50,0 kW - 67,1 HP

Operating Weight 3.100 kg

 **EUROCOMACH**[®]

17sk

Operating weight	kg	3.100
ENGINE		
Type	KUBOTA V2607-CR-T-STAGE 5	
Max Power (2.600 rpm)	kW - HP	50,0 - 67,1
Max torque (1.600 rpm)	Nm	225
Displacement	cc	2.615
Number of cylinders	n°	4
Cooling	water	
Consumption	lt/h	11
Alternator	V (A)	12 (60)
Battery	V (Ah)	12 (100)

HYDRAULIC SYSTEM		
Pump type	n.1 with gears for services	
Pump capacity	lt/min	80
Max. circuit calibration pressure	bar	240
Auxiliary system:	Max capacity	80
	Max pressure	240
High Flow System (optional):	Max capacity	125
	Max pressure	240

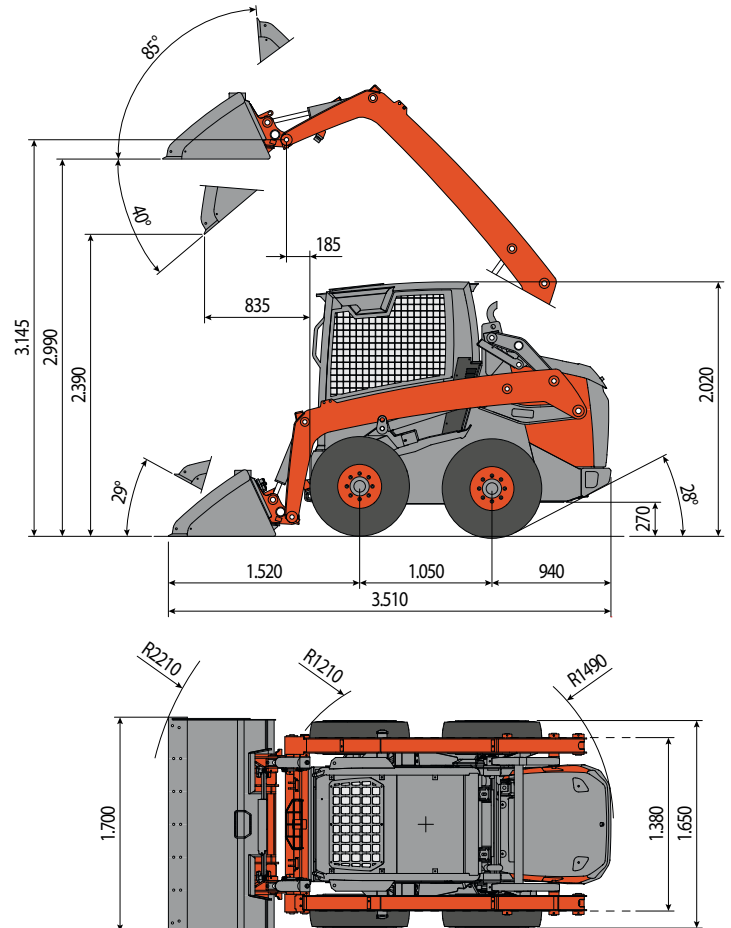
TRANSMISSION		
Type	Hydrostatic with electro-hydraulic tandem pump and radial pistons REXROTH gearboxes	
Travelling speed	km/h	1 ^a : 0 ÷ 9,0 / 2 ^a : 0 ÷ 18,0
Traction force	daN	3.700
Dimensions tires	10x16,5	

BRAKES		
Service brakes	Hydrostatic	
Parking brakes	Negative with multiple disks into oil bath, integrated on the rear gearboxes at electrohydraulic control	
Emergency brakes	Electrohydraulic control, acting on parking brakes (integrated on the rear gearboxes)	

PERFORMANCES		
Tipping load (ISO 14397)	kg	1.900
Operating load (ISO 14397, no more than 50% of tipping load)	kg	950
Teeth breakout force	daN	2.700
Standard bucket capacity	m ³	0,41
Standard bucket width	mm	1.680
Max slope	60% - 30°	

FILLINGS		
Fuel tank	lt	85
Hydraulic oil tank	lt	35
Hydraulic circuit capacity	lt	50
Cooling system capacity	lt	12
Engine oil	lt	10,2

CONTROLS		
Type	Ergonomic joystick	
Translation	Driven by left joystick	
Services	Driven by right joystick for lifting and bucket	
Lifting mechanism	Vertical lifting boom with a standard self-levelling system for the bucket (only for boom rising)	



- Homologation for road traffic (only Italy).
- The ROPS (ISO 3471) – FOPS (ISO 3449) engineer standards manufactured cab or canopy.
- Front and rear lights for night-road use and working.

 **EUROCOMACH®**